

**ERRATA SHEET FOR
ANSI/ASHRAE STANDARD 62.1-2022
Ventilation and Acceptable Indoor Air Quality**

December 5, 2022

The corrections listed in this errata sheet apply to ANSI/ASHRAE Standard 62.1-2022. The first printing is identified on the outside back cover as “Product code: 86308 8/22”. Shaded items have been added since the previously published errata sheet dated November 15, 2022 was distributed.

NOTICE: ASHRAE now has a list server for Standing Standards Project Committee 62.1 (SSPC 62.1). Interested parties can now subscribe and unsubscribe to the list server and be automatically notified via e-mail when activities and information related to the Standard is available. To sign up for the list server please visit **Project Committee List Servers** on the Standards and Guidelines section of the ASHRAE website at <https://www.ashrae.org/standards-research--technology/standards--guidelines/standards-activities/project-committee-list-servers>.

Page Erratum

4 Figure 3-1 Ventilation system. In the Occupied Space in Figure 3-1 change “Local Ventilation” to “Local Ventilation”. Revised figure attached.

25 6.3.3.1 Mass-Balance Analysis. Replace the informative note in Section 6.3.3.1 as shown below. Addendum aa to 62.1-2019 mistakenly deleted the incorrect informative note. (Note: Additions are shown in underline and deletions are shown in ~~strikethrough~~.)

Informative Note: Informative Appendix F includes steady-state mass-balance equations that describe the impact of air cleaning on outdoor air and recirculation rates for ventilation systems serving a single zone. ~~In the completed building, measurement of the concentration of contaminants or contaminant mixtures of concern may be useful as a means of checking the accuracy of the design mass balance analysis, but such measurement is not required for compliance.~~

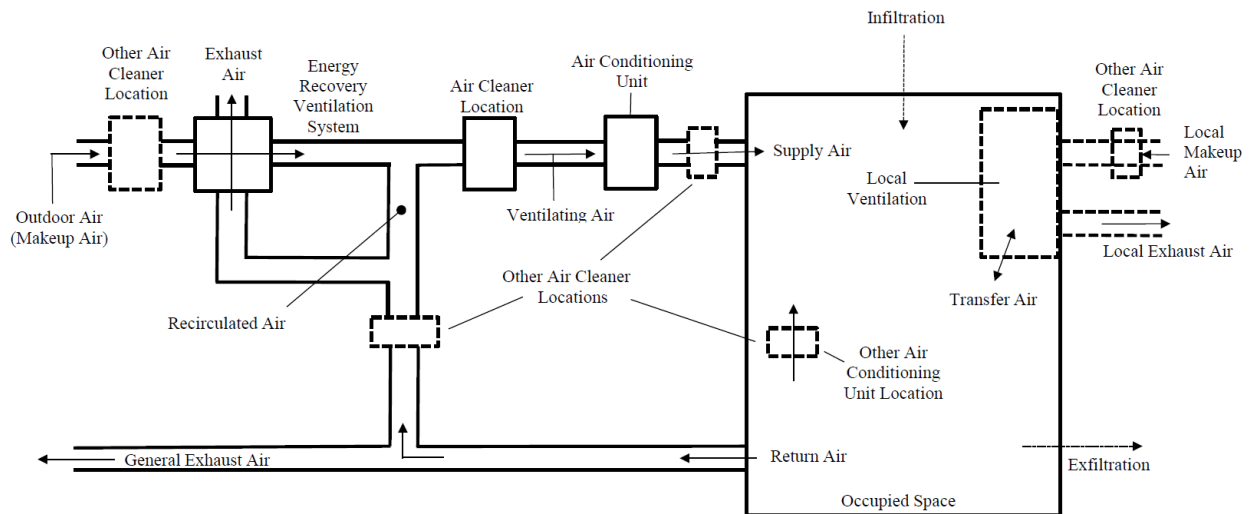


Figure 3-1 Ventilation system.